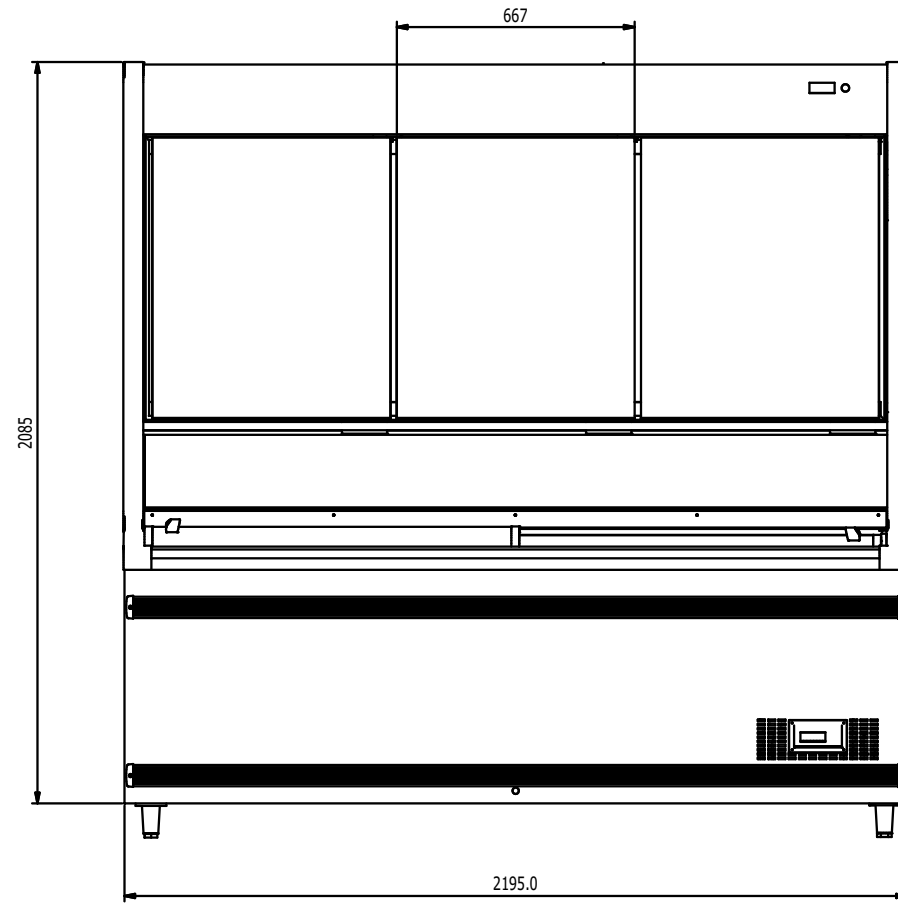
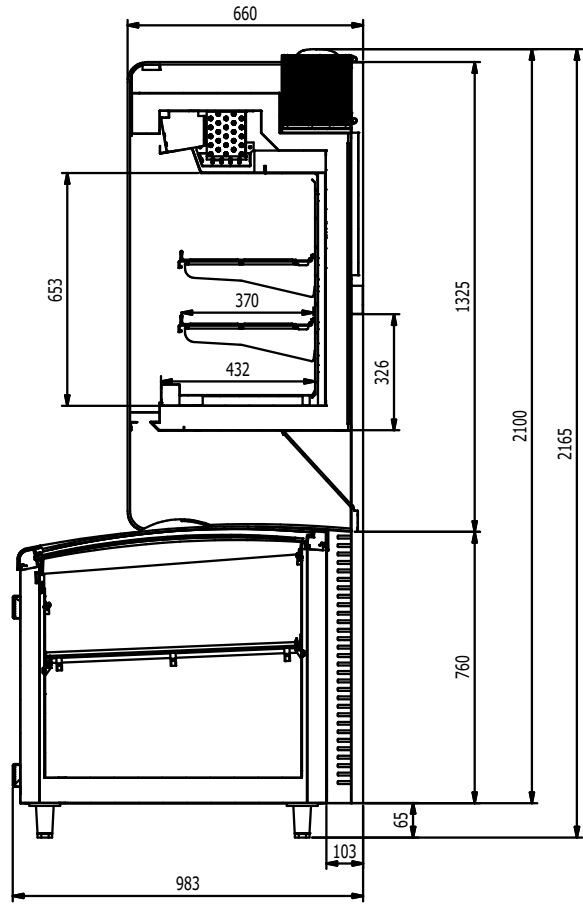


The copyright of this drawing is owned by FRICON. The drawing shall not be reproduced or its contents disclosed to a third without written permission from FRICON.

R:\01-SUPERMERCADOS\945 - COMBI 2200 SLB\00-COMERCIAL\DRAWING\2D\INVENTOR\CD 01\_045\_001\_COMBI 2200 SLB\_CROSS SECTION.dwg

**General linear tolerance**

Dimensions	0.5 ... 3	>3 ... 120	>120 ... 1000	>1000 ... 4000
Deviation (mm)	±0.2	±0.5	±1	±2



Verified						Project	COMBI SLB	
Verified date						Description	COMBI 2200 SLB ECO	
Designer	André Silva	A	Rectificação de medidas	25/08/21	Leonel	Drawing code	-	
Drawer date	21/04/2021	Rev.	Change	Date	Designer	Part Code	-	
Scale	SE					CNC Program	-	
						Material	-	
						Thickness	-	



DIN A3

**FRICON®**