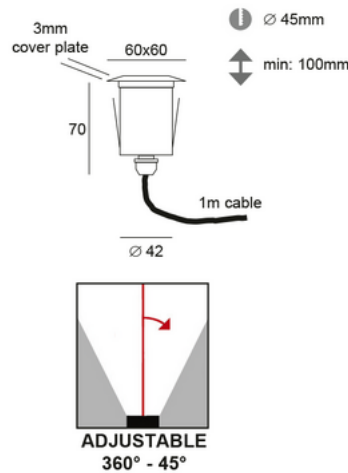


BEL LIGHTING | Xeno S
Item code: 8025.D11.02A

IK06

IP68

Class III


Product Description

High-performance IP68 waterproof recessed ground light supplied with a 1m cable. Available in multiple wattages and beam angles for customized effects. Operates on constant current, to use with a separate external driver (not included). Offering maximum immersion protection, it is ideal for demanding landscape and architectural lighting.

General technical data

Manufacturing material :	Body made in anodized aluminum
Surface finishing* :	Anodized black
Diffuser type :	Clear glass (transparent)
Fixation :	wall - ceiling - ground
IP Protection degree :	IP68
Shock resistance degree :	IK06
Reference temperature :	25°C
Working Environment Temperature :	-20°C > +50°C
Minimum Life time @ Ta 40°C :	85.000hrs (L80 B10)
Weight (Kg) :	0.30 Kg
Dimensions mm (L x W x H):	60 x 60 x 70 mm
Country of origin :	made in Belgium**

Reference Standards and Directives

Warranty :	3 years extendable to 5
Product certification :	CE
Certification and approval marks :	ISO 9001 - 14001 - 45001

Available accessories

Recessed box - Pop 11a/11b ref: X015A / X015B

Led driver AC/CC 350mA

Led driver DC/CC (12-36VDC/350mA)

IP68 connection - Connex 2 / 3 / 4

Lighting characteristics

Number of light sources :	1
Light source type :	Led 1,1W 4000K
Luminaire power :	1.1 W
Colour temperature :	4000 K
Colour Rendering Index :	CRI>90
Luminous flux (lumens) :	135 lm
Luminous flux efficiency :	123 lm/W
MacAdam step :	3
Beam angle ° FWHM :	10°
Lighting type :	direct
This product contains a lightsource of energyclass :	

Electrical characteristics

Insulation Class :	Class III
Voltage / Current :	350mA
Dimmable :	Yes

Available On Request

Other anodized color cover plate

Other material: brass / copper /...

Sandblasted glass

Other led color: 3000K / 5000K

Other cover plate dimensions (customized)

* Please refer to the information pages for the specific characteristics of anodized surfaces.

** All light fixtures shipped from our address in Megara, Greece are made in Greece.

BEL LIGHTING | Xeno S

Item code: 8025.D11.02A

IK06

IP68

Class III



Others photos from the same range

