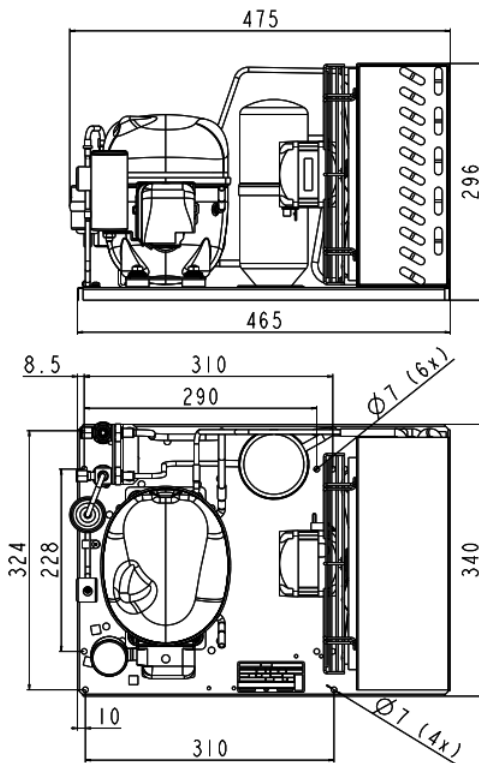


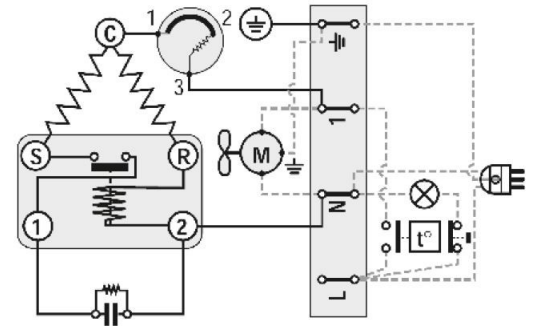
### GENERAL DATA

<b>Application:</b>	M/HBP
<b>Refrigerant:</b>	R134a
<b>Expansion Device:</b>	C-V
<b>Weight:</b>	22.1 kg
<b>Receiver:</b>	1.1 liter
<b>Voltage:</b>	<b>at 50 Hz</b> 220 - 240 V
<b>Height:</b>	296 mm
<b>Length:</b>	475 mm
<b>Width:</b>	340 mm
<b>Institute Approvals:</b>	<b>CE</b>

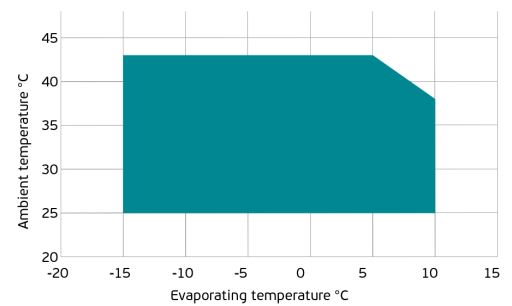
### EXTERNAL DIMENSIONS



### WIRING DIAGRAM



### OPERATING ENVELOPE



### COMPONENTS (SPARE PARTS)

<b>Valve Suction:</b>	3/8" SAE (2)	2110060
<b>Condenser:</b>	3R11T	2451206
<b>Dryer:</b>	FILTER DRYER 6MM ODF	2730006
<b>Compressor:</b>	NEK6212Z	269AA51..AM

<b>Valve Discharge:</b>	1/4" SAE (3)	2110086
<b>Fan Kit:</b>	16W 254/28°/5B	1996579
<b>Sight Glass:</b>	SIGHT GLASS 6MM ODF	2464031
<b>Electrical Kit:</b>	ELKOM NEK6212Z	269AA51N1A

For additional accessories please contact our technical support

### NOISE DATA

**Sound power level:** 65 dB (A)  
**Sound pressure level dB (A):** 57 (at 1m) | 43 (at 5m) | 37 (at 10m)  
 Maximum noise at maximum ambient temperature, 20°C return gas, configurations voltage and frequency.

### ELECTRICAL DATA

**Motor Type:** CSIR  
**Locked Rotor Amperage (RLA):** 19.5 A  
**Max.Current:** 3.95 A  
 At maximum evaporating temperature and maximum ambient temperature.

### FAN MOTOR

**Number:** 1  
**Shaft Power:** 16 W  
**Air Flow:** 595 m<sup>3</sup>/hod  
**Blade Diameter:** 254 mm

### PERFORMANCE DATA

Standard: EN13215 / return gas 20°C, subcooling 3K

50 Hz

	Evaporating Temperature (°C)	Cooling Capacity (W)	Power Consumption (W)	Current Consumption (A)	Efficiency (W/W)
25°C Ambient Temperature	10°C	1 482	645.95	3.98	2.29
	5°C	1 264	585.41	3.77	2.16
	0°C	1 066	529.63	3.58	2.01
	-5°C	888	478.60	3.42	1.86
	Rated point -10°C	730	432.32	3.29	1.69
	-15°C	593	390.79	3.19	1.52
32°C Ambient Temperature	10°C	1 348	665.93	4.10	2.02
	5°C	1 149	603.52	3.88	1.90
	0°C	969	546.01	3.69	1.77
	-5°C	807	493.40	3.53	1.64
	Rated point -10°C	664	445.69	3.40	1.49
	-15°C	539	402.88	3.29	1.34
43°C Ambient Temperature	5°C	987	637.61	4.00	1.55
	0°C	836	578.26	3.77	1.45
	-5°C	691	521.05	3.58	1.33
	Rated point -10°C	560	467.74	3.43	1.20
	-15°C	449	420.10	3.31	1.07